

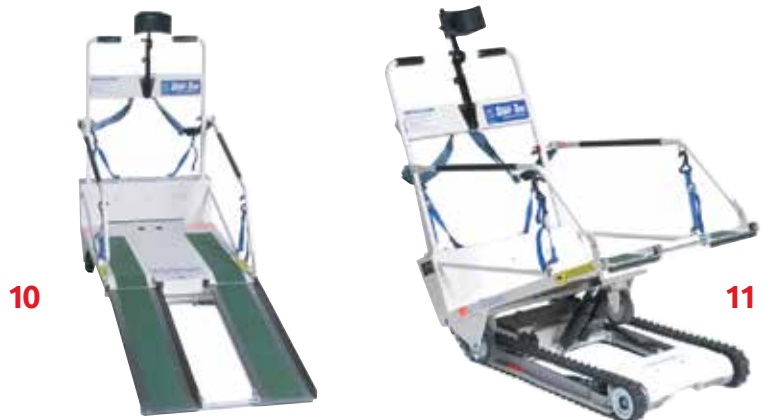


Super Trac
Portable Inclined Platform Wheelchair Lift

Technical Information

System

1. **Headrest**
Adjustable for passenger comfort.
2. **Control Panel**
Simple operating controls include a battery charge indicator and a key switch to prevent unauthorized use.
3. **Battery Powered**
Power is provided by 24 volt rechargeable battery pack for complete portability. Includes automatic battery charger.
4. **Wheelchair Tie-Down Straps**
Wheelchair is securely attached to platform with 4 adjustable tie-down straps.
5. **Platform**
Large platform accommodates virtually any wheelchair including electric models and sports chairs.
6. **Parking Brake**
Electrically activated parking brake ensures stability during boarding.
7. **Tracks**
Rubber tracks are steel-reinforced to ensure strength and durability. The unique tread design grips all types of stairs.
8. **Auxiliary Wheels**
Large wheels allow easy travel across landings and between flights of stairs.
9. **Seatbelt**
Electrically interlocked seatbelt provides additional passenger security. Super-Trac will not operate unless seatbelt is fastened.
10. **Loading Ramp**
An integrated loading ramp with non-skid surface makes wheelchair boarding easy.
11. **Hydraulic Tilt**
A powerful hydraulic piston tilts the wheelchair platform position for travel on the stairs.



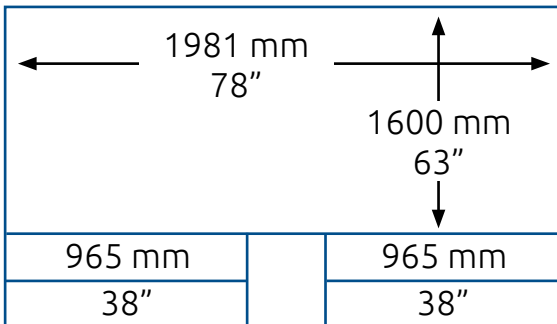
Specifications & Dimensions

Specifications

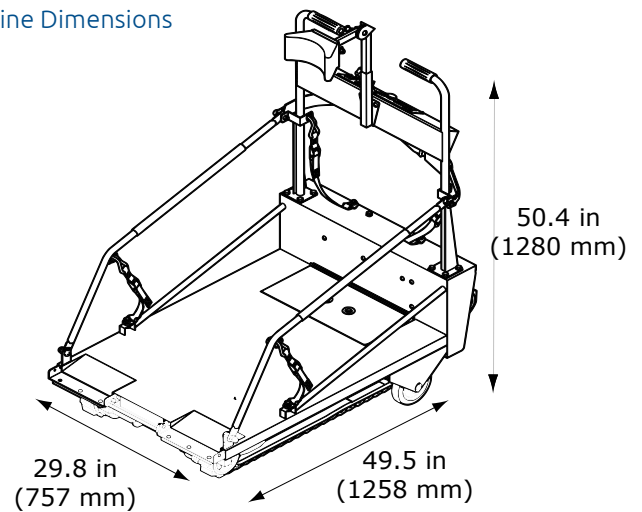
Max Capacity	440 lbs/200kgs	Brake	Fail-safe Electromagnetic
Max Stair Angle	35°	Weight	253 lbs (115 kgs)
Power	Sealed Batteries 24 V	Speed Up	21.4 ft (6.5 m) / min
Charging	Automatic 110/220 VAC	Speed Down	34.7 ft (10.6 m) / min

Dimensions

Stair Turnback Dimensions



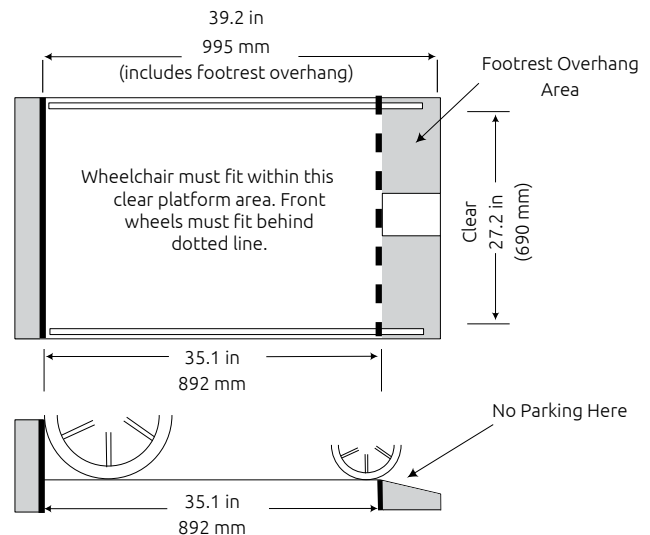
Machine Dimensions



Benefits

- Instant accessibility solution
- Economical compared to elevators and custom designed wheelchair lifts
- Requires no building renovations, no installation permits or licenses
- No permanent impact on stairway egress width
- A single unit provides access into many buildings
- Easily stored in a secure area when not in use
- Requires minimal maintenance compared to an elevator or wheelchair lift
- Great backup system for an elevator if power fails

Clearance






Garaventa Lift

PO Box 1769 · Blaine, WA · 98231-1769 · USA
T 604 594 0422 · T 800 663 6556 (toll free North America)
E info@garaventalift.com · I www.garaventalift.com



Authorized Garaventa Lift Representative

© Garaventa Lift. As we are continuously improving our products, specifications outlined in this brochure are subject to change without notice.

 Printed in Canada
15802-J-PB-EN